

## GV-ABL4712 4MP H.265 4.3x Zoom Low Lux WDR Pro IR Bullet IP Camera



- 1/3" progressive scan low lux CMOS sensor
- Min. illumination at 0.01 lux
- Triple streams from H.265, H.264 or MJPEG
- Up to 20 fps at 2592 x 1520, 25 fps at 2560 x 1440, 30 fps at 2048 x 1520
- Motorized varifocal lens for remote focus / zoom adjustment
- Intelligent IR
- IR distance up to 30 m (98.4 ft)
- Day and night function (with removable IR-cut filter)
- Vandal Resistance (IK10)
- Ingress protection (IP67)
- Built-in micro SD card slot (SD / SDHC / SDXC / UHS-I, Class 10) for local storage
- Two-way audio
- DC 12V / PoE (IEEE 802.3af)
- Wide Dynamic Range Pro (WDR Pro)
- Defog
- 3D noise reduction
- Motion detection
- Tampering Alarm
- Text overlay
- Privacy mask
- ONVIF (Profile S) conformant

### Introduction

The Bullet IP Camera is an outdoor, fixed, network camera equipped with an automatic IR-cut filter and an IR LED for day and night surveillance. The camera supports H.265 video codec to achieve better compression ratio while maintaining high quality pictures at reduced network bandwidths. GV-ABL4712 adheres to IP67 standard, and can be powered through PoE.

### Active Tampering Alarm

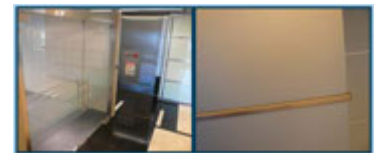
Tampered



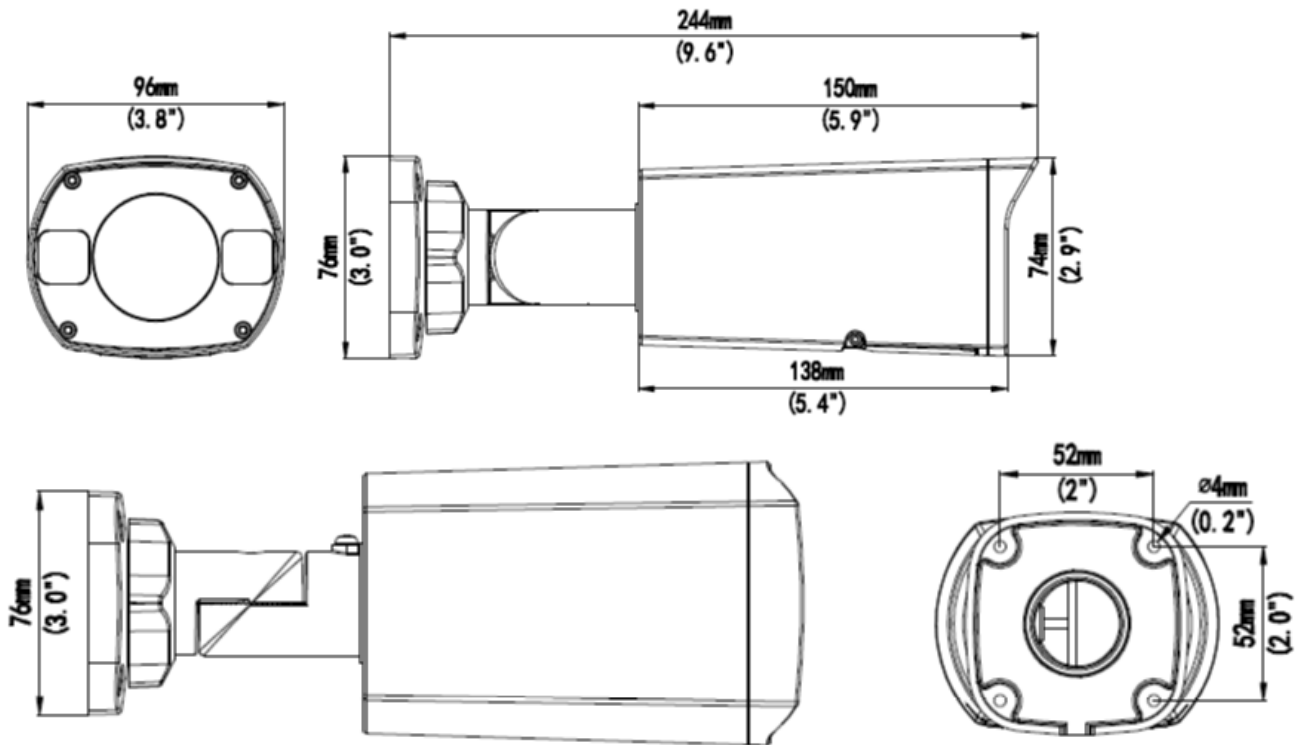
Focus Change



Camera Shift



## Dimensions



## Specifications

Camera		
Image Sensor	1/3" progressive scan low lux CMOS	
Picture Elements	2592 (H) x 1520 (V)	
Minimum Illumination	Color	0.01 Lux
	IR On	0 Lux
Shutter Speed	Auto / Manual (1/6 ~ 1/100000 sec)	
White Balance	Auto / Manual	
Gain Control	Auto / Manual	
S/N Ratio	52 dB	
WDR Pro	Yes	
Dynamic Range	Up to 120 dB	
Lens		
Megapixel	4 MP	
Day / Night	Yes (with removable IR-cut filter)	
Lens Type	Motorized varifocal lens	
Focal Length	2.8 ~ 12 mm	
Maximum Aperture	F/1.4	
Mount	Ø14 mm	
Horizontal FOV	27° ~ 91°	
Operation	Focus	Auto / Manual
	Zoom	4.3x Optical Zoom
	Iris	Fixed
IR LED Quantity	2 IR LEDs	
Max. IR Distance	30 m (98.4 ft)	
Operation		
Video Compression	H.265, H.264, MJPEG	
Video Streaming	Triple streams	
Video Resolution	Main Stream	2592 x 1520, 2560 x 1440 (Default), 2048 x 1520, 1920 x 1080
	Sub Stream	1920 x 1080, 1280 x 720, 720 x 576 (Default), 704 x 288, 640 x 360, 352 x 288
	Third Stream (Closed by Default)	720 x 576, 704 x 288, 640 x 360, 352 x 288

Frame Rate	20 fps at 2592 x 1520, 25 fps at 2560 x 1440, 30 fps at 2048 x 1520 (60 / 50 Hz) * The frame rate and performance may vary depending on the number of connections and data bitrates (different scenes).	
Audio Compression	G.711	
Audio Support	Two-way Audio (external microphone and speaker required)	
Digital I/O	Input	1 Input, dry contact, NO / NC
	Output	1 Relay Output (1A 30V DC / 0.3A 125V AC)
<b>Network</b>		
Interface	10/100 Ethernet	
Protocol	DHCP, DynDNS, FTP, HTTP, HTTPS, IPv4, ICMP, L2TP, NTP, PPPoE, RTP, RTSP, SMTP, SIP, TCP/IP, UDP, ONVIF (Profile S)	
<b>Mechanical</b>		
Camera Angle Adjustment	Pan	0°~360°
	Tilt	0°~120°
	Rotate	0°~360°
Connectors	Power	DC Jack, PoE
	Ethernet	RJ-45
	Audio	1 in (Audio In Wire); 1 out (Audio Out Wire) *The Audio In port only supports microphones with power supply .
	Digital I/O	4-pin terminal block pitch 3.5 mm (0.14")
	Local Storage	Micro SD card slot (SD / SDHC / SDXC / UHS-I, Class 10) * UHS-II card types are not supported.
<b>General</b>		
Operating Temperature	-35°C ~ 60°C (-22°F ~ 140°F)	
Humidity	0% ~ 95% (no condensation)	
Power Source	12 V DC / PoE (IEEE802.3af)	
Max. Power Consumption	9 W	
Dimensions	253.4 × 86 × 71.1 mm (9.98" × 3.4" × 2.8")	
Weight	0.58 kg (1.28 lb)	
Ingress Protection	IP67	
Vandal Resistance	IK10	
Regulatory	FCC, UL, CE, RoHS compliant	
<b>Web Interface</b>		
Installation Management	Web-based configuration	
Maintenance	Firmware upgrade through Web Browser or Utility	
Access from Web Browser	Live View, Video Recording, Change Video Quality, Bandwidth Control, Image Snapshot, Text Overlay, Image Masking	
Language	Czech, English, French, German, Hungarian, Italian, Japanese, Polish, Portuguese, Russian, Spanish	
<b>Applications</b>		
Software Supported	GV-DVR / NVR (V8.7.4.0), GV-VMS (V16.11.0.0), GV-Control Center (V3.5.0.0), GV-Edge Recording Manager (V1.3.0.0), GV-Recording Server / Video Gateway (V1.4.0.0), GV-Redundant / Failover Server (V1.1.0.0)	
Smart Device Access	GV-Eye for iOS and Android	
Live Viewing	Browser (IE, Firefox, Safari), Mobile App	




**Note:**

1. It is required to apply patch files to all the supported software.
2. Do not use clothes or any ordinary material to clean the camera cover since they may result in scratches.
3. Specifications are subject to change without notice.

**Packing List**

- |                          |                          |
|--------------------------|--------------------------|
| 1. Bullet IP Camera      | 4. Drill Template Paster |
| 2. Waterproof Rubber Set | 5. Download Guide        |
| 3. Screw Kit             | 6. Warranty Card         |

## Accessories

Model No.	Name		Details
GV-Mount503	Wall Mount Bracket		<p>Dimensions: 125 x 125 x 55 mm (4.9" x 4.9" x 2.2")</p> <p>Weight: 0.74 kg (1.63 lb)</p>
GV-Mount420 (must be used with GV-Mount503)	Pole Mount Bracket		<p>Dimensions: Ø 120 x 120 x 53.4 mm (4.7" x 4.7" x 2.1")</p> <p>Weight: 0.45 kg (0.99 lb)</p>
GV-PA191	Power over Ethernet (PoE) Adapter		<p>The GV-PA191 is a Power over Ethernet (PoE) adapter designed to provide power to the IP device through a single Ethernet cable.</p>
GV-POE Switch			<p>The GV-POE Switch is designed to provide power along with network connection for IP devices. The GV-POE Switch is available in various models with different numbers and types of ports.</p>
Power Adapter			<p>Contact our sales representatives for the countries and areas supported.</p>