

GV-SD2733-IR (30x) PoE 2MP H.265 Low Lux WDR Pro Outdoor IR IP Speed

Dome



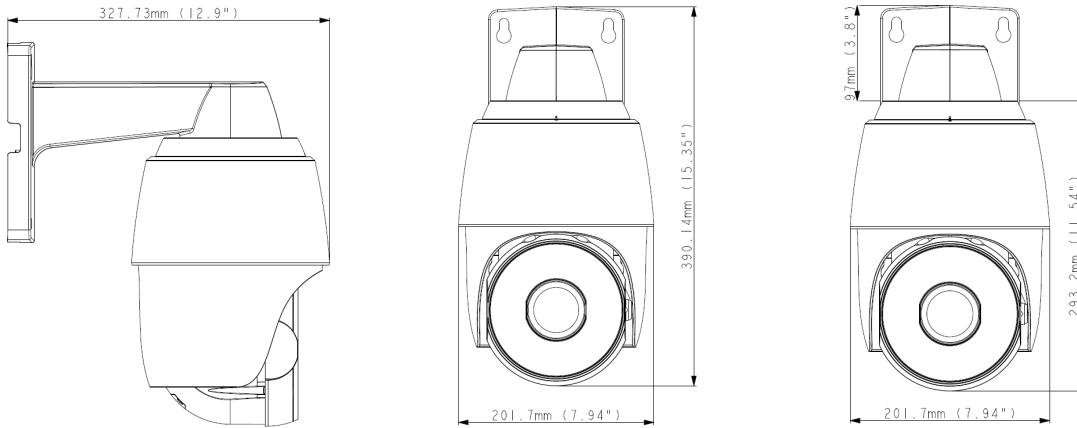
- 1/3" progressive scan low lux CMOS sensor
 - Min. illumination at 0.1 lux
 - Dual streams from H.265, H264 or MJPEG
 - Up to 50 fps at 1920 x 1080
 - 30x optical zoom and 32x digital zoom
 - Intelligent IR
 - IR distance up to 250 m (820 ft)
 - Day and night function (with removable IR-cut filter)
 - Wide Dynamic Range Pro (WDR Pro)
 - Vandal resistance (IK10 for metal casing)
 - Ingress protection (IP66)
 - Wide temperature tolerance (-40°C ~ 70°C / -40°F ~ 158°F)
 - Two-way audio
 - Built-in micro SD card slot (SD/SDHC/SDXC/UHS-I, Class10) for local storage
 - DC 24V / AC 24V / High PoE (PoE++, 90 W)
 - Four sensor inputs and one digital alarm output
 - Pan 360° endlessly
 - Tilt from -20° to 200°
 - Pan speed at up to 360°/sec and tilt at 400°/sec
 - PTZ movement (Preset, Sequence, Auto Pan, Cruise and Tour)
 - PTZ movements by schedule
 - Auto and manual PTZ calibration
 - Auto focus
 - 3D noise reduction
 - Motion detection
 - Privacy mask
 - 31 languages on Web interface
- * No memory card slot & local storage function for Argentina

Introduction

The GV-SD2733-IR IP Speed Dome is an outdoor network PTZ camera that offers 30x optical zoom and 32x digital zoom, and is capable of capturing high-definition images (1080p at 50 fps) with great details. In low-light environments, night vision is enhanced by its high power LEDs with an effective IR distance of up to 250 m (820 ft).

Wide surveillance coverage is made possible with 360° endless panning and -20 ~ 200° tilting capacity. PTZ functions such as Preset, Sequence, Auto Pan, Cruise and Tour can be programmed and activated by schedule. The GV-SD2733-IR IP Speed Dome supports a pan/tilt speed of from 0.1 to 400° per second, with 0.2° pan accuracy, for fast and accurate tracking ability. The camera adheres to IK10 and IP66 standards.

Dimensions



Specifications

| Camera | | |
|----------------------|--|------------------|
| Image Sensor | 1/3" progressive scan low lux CMOS | |
| Optical Zoom | 30x | |
| Digital Zoom | 32x | |
| Picture Elements | 1920 (H) x 1080 (V) | |
| Minimum Illumination | Color | 0.5 Lux at F/1.6 |
| | B/W | 0.1 Lux at F/1.6 |
| | IR ON | 0 Lux |
| Electronic Shutter | 1/6 ~ 1/30000 sec. | |
| White Balance | Auto / Manual (2800 ~ 8500K) | |
| Gain Control | Automatic | |
| Iris Control | Auto / Manual | |
| AGC control | Auto / Manual | |
| S/N Ratio | 50 dB (AGC Off) | |
| WDR Pro | Yes | |
| Dynamic Range | Up to 120 dB | |
| Optical Lens | | |
| Megapixel | Yes | |
| Day / Night | Yes (with removable IR-cut filter) | |
| Focal Length | 4.3 ~ 129 mm | |
| Maximum Aperture | F/1.6 | |
| Horizontal FOV | 58.9° ~ 2.11° | |
| Operation | Focus | Auto / Manual |
| | Zoom | 30x |
| | Iris | Auto / Manual |
| IR LED Quantity | 4 IR LEDs | |
| Max. IR Distance | 250 m (820 ft) | |
| Video | | |
| Video Compression | H.265, H.264, MJPEG | |
| Video Streaming | Stream 1 from H.265 or H.264 Stream 2 from H.265, H264 or MJPEG | |
| Video Resolution | Main Stream | 16:9 |
| | Sub Stream | |
| Frame Rate | 1920 x 1080 (Default), 1280 x 720, 640 x 360 1280 x 720, 640 x 360 (Default), 448 x 256 50Hz: 50 fps at 1920 x 1080 60Hz: 30 fps at 1920 x 1080 * The frame rate and performance may vary depending on the number of connections and data bitrates (different scenes). | |
| Audio | | |
| Audio Compression | G.711, AAC (optional) | |
| Audio Support | Two-way audio (external microphone and speaker required) | |
| Sensor Input | 4 Input (dry contact) | |
| Alarm Output | 1 Digital output (4A 30V DC / 250V AC) | |

| Network | | |
|-------------------------------------|--|--|
| Interface | 10/100 Ethernet | |
| Protocol | DHCP, DNS, DynDNS, FTP, HTTP, HTTPS, ICMP, IPv4, IPv6, 3GPP/ISMA, NTP, ONVIF (Profile S), QoS (DSCP), RTP, RTCP, RTSP, SMTP, SNMP, SSL, TCP/IP, UDP, UPnP, Multicast | |
| Mechanical | | |
| Temperature Detector | Yes | |
| Connectors | Power | Cable with DC Jack (DC 24V, AC 24V), PoE ++ |
| | Ethernet | 10/100 Base-T, RJ-45 connector |
| | Audio | 1 in (RCA female for microphone); 1 out (RCA female for speaker) |
| | Local Storage | Micro-SD card slot (SD/SDHC/SDXC/UHS-I, Class 10) *UHS-II card type is not supported. |
| | Digital I/O | I/O wires |
| Operation | | |
| Pan Travel | 360° endless | |
| Tilt Travel | -20° ~ 200° | |
| Manual Speed | Pan | 0.1° ~ 360°/s |
| | Tilt | 0.1° ~ 400°/s |
| Calibration | Auto / Manual | |
| Presets | Max. Number | 255 |
| | Accuracy | 0.2° |
| Sequence | Max. Number | 8 |
| | Max. Presets Allowed | 16 |
| Auto Pan | 8 | |
| Cruise | 4 | |
| Tour | Max. Number | 8 |
| | Max. Number of Preset / Sequence / Auto Pan / Cruise | 16 |
| Privacy Mask | 8 | |
| Proportional Pan & Tilt | Auto (Pan and tilt speed proportional to zoom ratio) | |
| Automatic Function | Preset, Sequence, Auto Pan, Cruise, Tour | |
| Mechanical Flip | On / Off | |
| Digital Slow Shutter | On / Off | |
| Motion Detection | On / Off | |
| Wide Dynamic Range | On / Off | |
| Day/Night: Mechanical IR Cut Filter | On / Off | |
| Picture Flip | On / Off | |
| Image Freeze | On / Off | |
| Digital Noise Reduction | On / Off | |
| Alarm | Input | 4 |
| | Output | 1 |
| | Reaction | Preset, Sequence, Auto Pan, Cruise, Tour |
| General | | |
| Operating Temperature | -40°C ~ 70°C (-40°F ~ 158°F) | |
| Heater | Heater 1 On: 28°C (82.4°F); Off: 33°C (91.4°F) Heater 2 On: 17°C (62.6°F); Off: 22°C (71.6°F) | |
| Fan-On | > 55°C (131°F) | |
| Humidity | 10% ~ 90% (non-condensing) | |
| Dimensions | Ø 201.7 x 293.2 mm (7.94" x 11.54") | |
| Weight | 5.6 kg (12.3 lb) | |
| Power Source | 24V AC ± 10%, 3A / 24V DC ± 10%, 3.75A, High PoE (PoE++, 90 W) | |
| Power Consumption | 85 W | |
| Ingress Protection | IP66 | |
| Vandal Resistance | IK10 for metal casing | |
| Regulatory | CE, FCC, RCM, RoHS compliant | |

| Power over Ethernet | |
|-------------------------|--|
| PoE Standard | PoE++ (90 W) / PD |
| PoE Power Supply Type | End-Span |
| PoE Power Output | 56V DC, 1600 mA (90 W Max.) |
| Web Interface | |
| Installation Management | Web-based configuration |
| Maintenance | Firmware upgrade through Web Browser or Utility |
| Access from Web Browser | Live View, Video Recording, PTZ Control, Preset, Sequence, Cruise, Auto Pan, Tour, Image Quality, Bandwidth Control, Image Snapshot, I/O Control, 2-way Audio, Picture-in-Picture (PIP), Picture-and-Picture (PAP), Text Overlay, Image Masking |
| Language | Arabic / Bulgarian / Czech / Danish / Dutch / English / Finnish / French / German / Greek / Hebrew / Hungarian / Indonesian / Italian / Japanese / Lithuanian / Norwegian / Persian / Polish / Portuguese / Romanian / Russian / Serbian / Simplified Chinese / Slovakian / Slovenian / Spanish / Swedish / Thai / Traditional Chinese / Turkish |
| Applications | |
| Network Storage | GV-DVR / NVR, GV-VMS, GV-Backup Center, GV-Recording Server |
| Smart Device Access | GV-Eye for iOS and Android |
| Live Viewing | Browser (IE, Chrome, Firefox, Safari), Mobile App |
| CMS Server support | GV-Control Center, GV-Center V2, GV-Vital Sign Monitor |

Note:

- Do not use clothes or any ordinary material to clean the camera cover since they may result in scratches.
- Mind the following when using an inserted memory card for recording:
 - Recorded data on the memory card can be damaged or lost if the data are accessed while the camera is under physical shock, power interruption, memory card detachment or when the memory card reaches the end of its lifespan. No guarantee is provided for such causes.
 - The stored data can be lost if the memory card is not accessed for a long period of time. Back up your data periodically if you seldom access the memory card.
 - Memory cards are expendable and their durability varies according to the conditions of the installed site and how they are used. Back up your data regularly and replace the memory card annually.
 - To avoid power outage, it is highly recommended to apply a battery backup (UPS).
 - For better performance, it is highly recommended to use Micro-SD card of MLC NAND flash, Class 10.
 - Replace the memory card when its read/write speed is lower than 6 MB/s or when the memory card is frequently undetected by the camera.
- Specifications are subject to change without notice.

Packing List





- | | |
|-------------------------------|--------------------|
| 1. GV-SD2733-IR IP Speed Dome | 5. RJ-45 Connector |
| 2. Pendant Tube (GV-Mount207) | 6. Data Cable |
| 3. Hex Key x 2 | 7. Download Guide |
| 4. Rubber Ring | 8. Warranty Card |

Note: Power adapters can be purchased upon request.

Accessories

| Model No. | Name | Details |
|-------------|-------------------------|--|
| GV-Mount102 | Straight Tube Box Mount |  Dimensions: 256 x 256 x 316 mm (10.1" x 10.1" x 12.4") Weight: 6.6 kg (14.6 lb) |

| Model No. | Name | | Details |
|---------------|--|---|--|
| GV-Mount103 | Straight Tube Mount |  | Dimensions: 219 x 125 x 340 mm (8.6" x 4.9" x 13.4") Weight: 2.2 kg (4.9 lb) |
| GV-Mount103-1 | Straight Tube Mount |  | Dimensions: 219 x 125 x 240 mm (8.6 x 4.9 x 9.4") Weight: 1.76 kg (3.88 lb) |
| GV-Mount208-1 | Swan Neck Mount |  | Dimensions: 1043 x 565 x 256 mm (41.06" x 22.24" x 10.08") Weight: 10.6 kg (23.37 lb) |
| GV-Mount300-1 | Convex Corner Adapter Kit |  | Dimensions: 238.6 x 409.5 mm (9.4" x 16.1") Weight: 4.27 kg (9.41 lb) |
| GV-Mount310-1 | Concave Corner Adapter Kit |  | Dimensions: 123.3.6 x 393.1 mm (4.9" x 15.5") Weight: 2.96 kg (6.53 lb) |
| GV-Mount400-1 | Pole Mount Bracket Kit (\varnothing 4" ~ 6") |  | Bracket: 241 x 161 mm (9.5" x 6.3") Weight: 1.70 kg (3.75 lb) Steel Strap: \varnothing 4" ~ 6" |
| GV-Mount410-1 | Pole Mount Bracket Kit (\varnothing 6" ~ 7.5") |  | Bracket: 241 x 161 mm (9.5" x 6.3") Weight: 1.70 kg (3.75 lb) Steel Strap: \varnothing 6" ~ 7.5" |

| Model No. | Name | | Details |
|---------------|--|---|---|
| GV-Mount501 | Convex Corner Box Mount |  | Dimensions: 136 x 256 x 256 mm (5.4" x 10.1" x 10.1") Weight: 4.8 kg (10.6 lb) |
| GV-Mount702 | Extension Tube |  | Four options are available. Dimensions: Ø 5.4 x 10 or 20 or 30 or 50 cm (Ø 2.1" x 3.9" or 7.9" or 11.8" or 19.7") Weight: 180 or 390 or 550 or 800 g (0.4 or 0.86 or 1.21 or 1.76 lb) |
| GV-PA901 | PoE Adapter |  | GV-PA901 PoE adapter is designed to provide power and network connection to IP cameras over a single Ethernet cable. |
| Power Adapter | DC 24V Power Adapter 100-240V AC US DC 24V Power Adapter 100-240V AC AU DC 24V Power Adapter 100-240V AC AR DC 24V Power Adapter 100-240V AC EU DC 24V Power Adapter 100-240V AC JU DC 24V Power Adapter 100-240V AC UK |  | Dimensions: 132.75 x 58.6 mm (5.23" x 2.3") Weight: 0.39 kg (0.86 lb) Input: 100 ~ 240V AC, 2.5A, 50-60Hz Output: 24V DC, 3.75 A Contact our sales representatives for the countries and areas supported. |