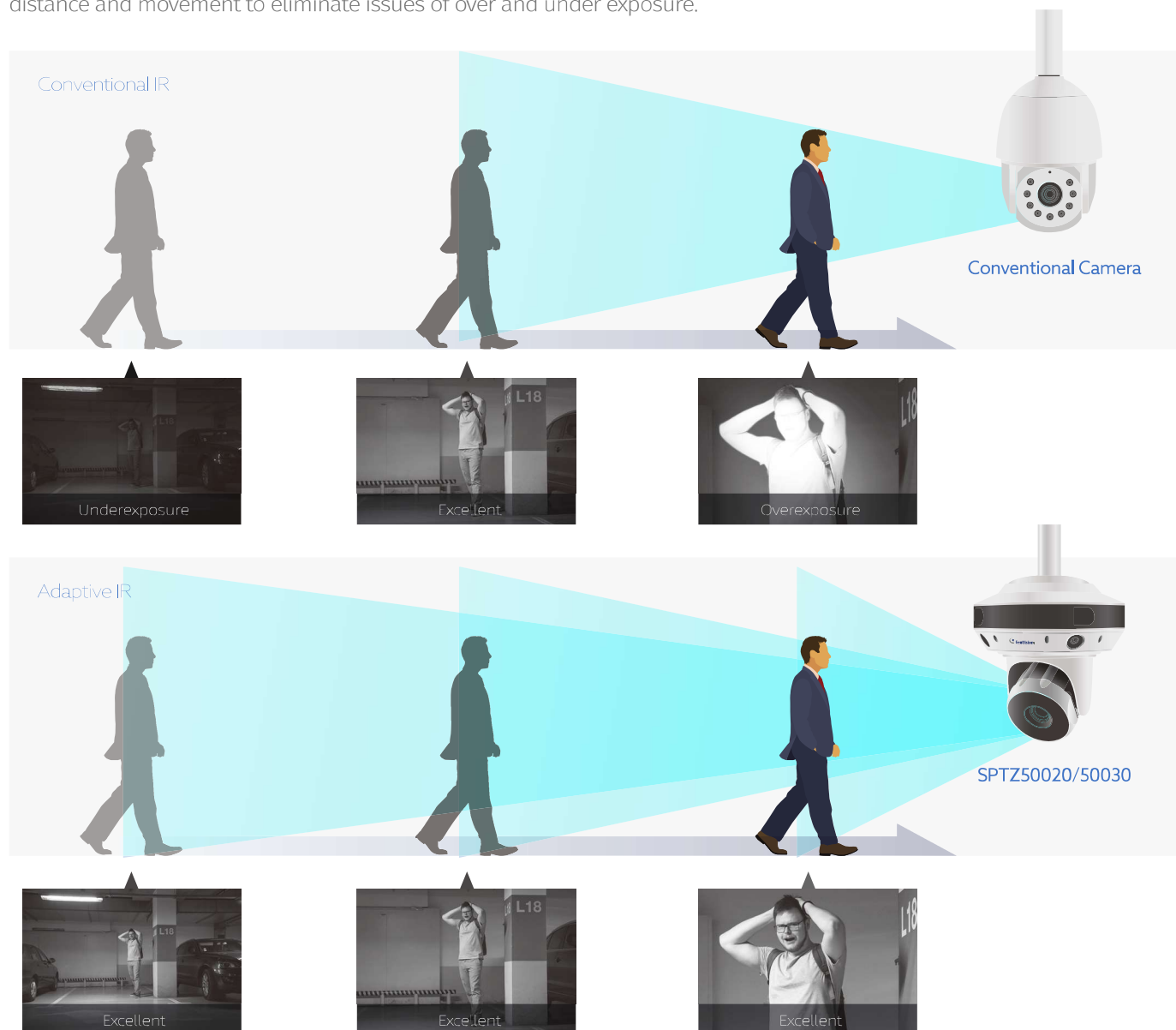


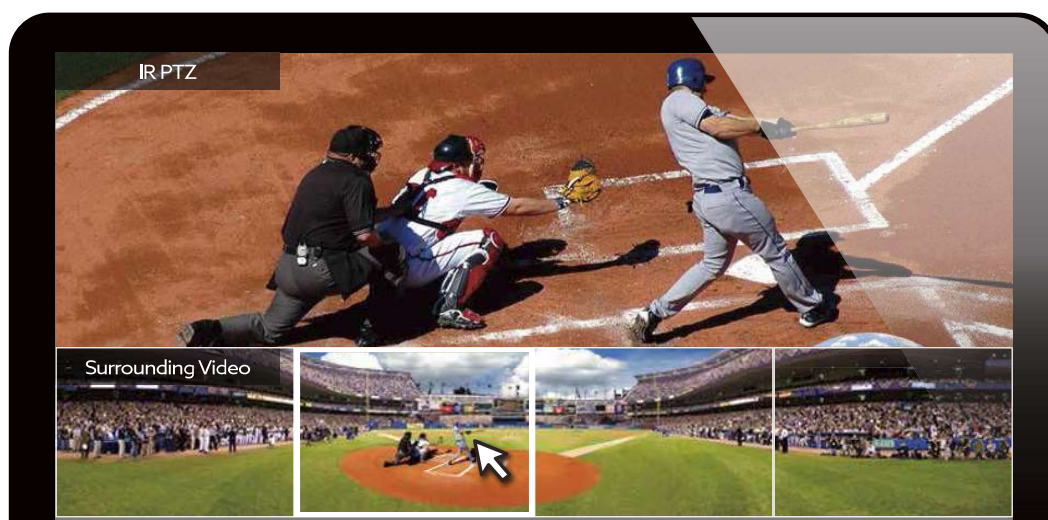
## Adaptive IR Function

IR plays an important role in the effectiveness of a security camera in capturing details like faces and license plate in low lighting. An adaptive IR is superior to the conventional IR as it adjusts brightness and angle of exposure to adapt to target's distance and movement to eliminate issues of over and under exposure.



## Intuitive PTZ Control

Surrounding video camera provides 360° monitoring for full resolution field of view without missing any details. Multiple areas of interest may be selected from the panorama screen for forensic zooming of critical details.



## Product Spec

### GV-SV48000

48MP H.264 Low Lux WDR Surrounding Video IP Camera



- 12MP\*4 sensors
- 15 fps at 4000 x 3000
- 360° field of view
- Two-way audio
- -40°C ~ 50°C (-40°F ~ 122°F)
- IR distance up to 80m
- IP66 & IK10 for metal casing

### GV-SD2723-IR/SD2733-IR

2MP H.265 20x / 30x Zoom Low Lux WDR Pro IR IP Speed Dome

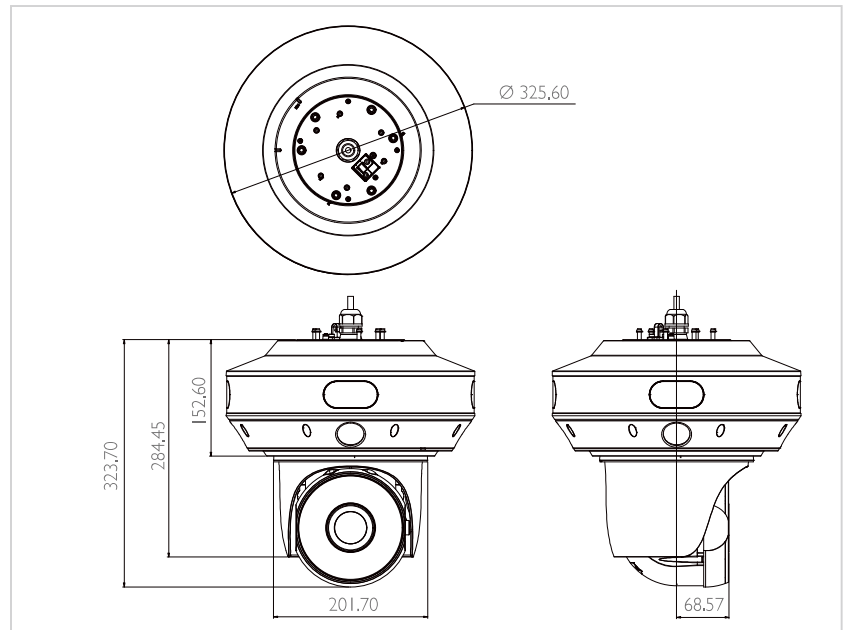


- 20x / 30x optical zoom lens
- 60 fps at 1920 x 1080
- Two-way audio
- -40°C ~ 50°C (-40°F ~ 122°F)
- IR distance up to 250m
- Pan travel 360° endless
- Tilt travel +110°~-110°
- Pan max. speed 0.1°~360°/Sec
- Tilt max. speed 0.1°~400°/Sec
- IP66 & IK10 for metal casing

**Compact Size Design** - SPTZ series feature a compact size for easy installation.



GV-SPTZ50020/50030



## Mount

### GV-Mount102

Straight Tube Box Mount

- Dimensions: 256 x 256 x 316 mm (10.1 x 10.1 x 12.4")
- Weight: 66 kg (14.6 lb)



### GV-Mount103

Straight Tube Mount

- Dimensions: 219 x 125 x 340 mm (8.6 x 4.9 x 13.4")
- Weight: 2.2 kg (4.9 lb)



### GV-Mount908-2

In-Ceiling Mounting Kit

- Dimensions: 205 x 128 x 227 mm (8.1 x 5 x 8.9")
- Weight: 3 kg (6.6 lb)



### GV-Mount207

Pendant Tube

- Dimensions: 151.6 x 203.6 x 302.8 mm (5.97 x 8.02 x 11.92")
- Weight: 1.43 kg (3.15 lb)

