

GV-Housing103 Housing Box



Introduction

The GV-Housing103 is a housing box designed to support the outdoor installation for the following Box Camera models with external protection. It conforms to IP67 and IK10 standards, and is equipped with 6 IR LEDs for night operations, allowing up to 60 m (196.85 ft) IR effective distance. The GV-Housing103 also supports optional GV-Mount accessories, allowing the Box Camera to be installed on the pole, convex and concave surfaces. Adopting the housing box enables flexible installation of the Box Camera to meet your needs for IP surveillance in various environmental conditions.

Applied to

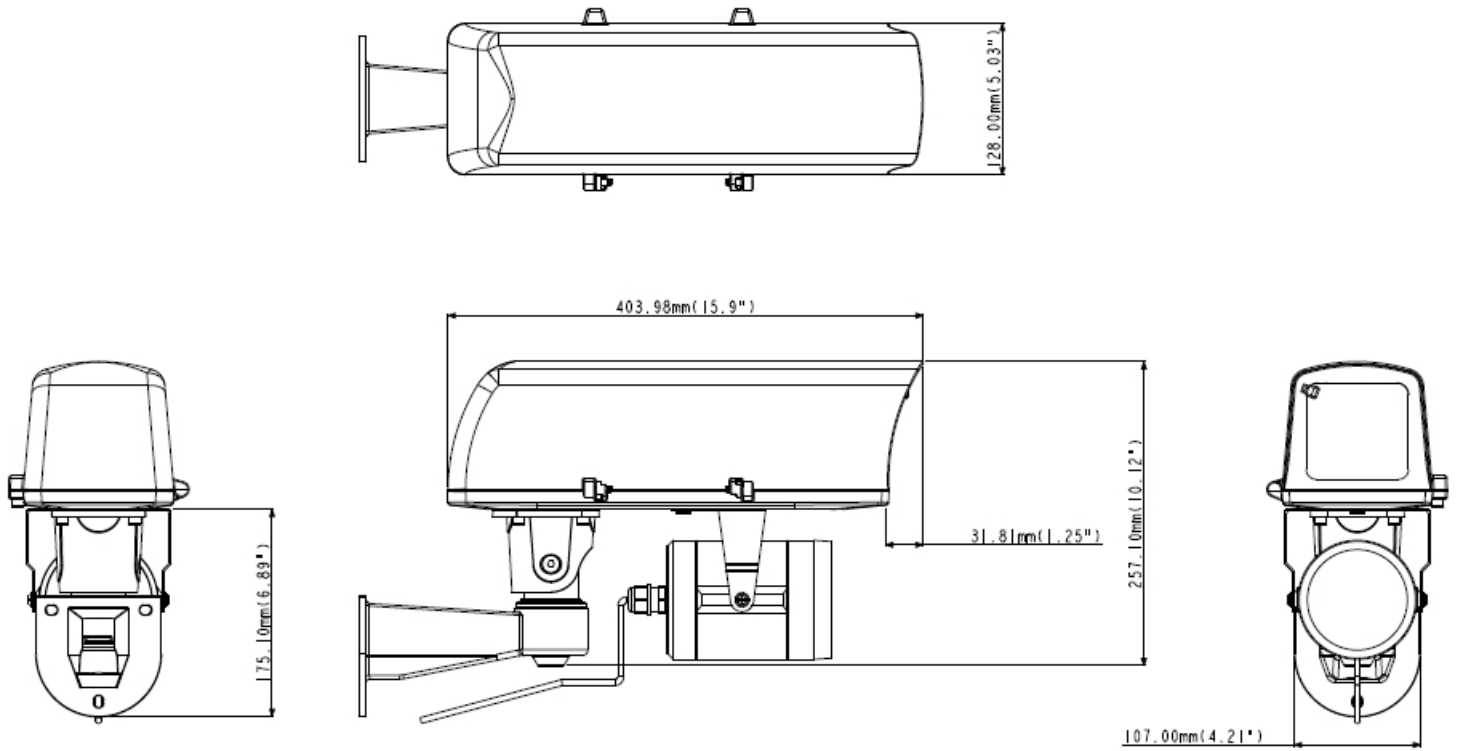
- GV-BX12201
- GV-BX2700-3V
- GV-BX4700-3V
- GV-BX5700-3V

Specifications





Power		DC 12V, 1A
Temperature	Start-up	-20°C ~ 50°C (-4°F ~ 122°F)
	Operation	-30°C ~ 50°C (-22°F ~ 122°F)
IR LED Quantity		6 IR LEDs
Max. IR Distance		60 m (196.85 ft)
Dimensions (L x W x H)		404 x 128 x 257 mm (15.91 x 5.04 x 10.12")
Weight		7 kg (15.43 lb)
Ingress Protection		IP67
Vandal Resistance		IK10 (for metal casing)

Note: Specifications are subject to change without notice.

Dimensions



Accessories

Model No	Name	Details	
GV-Mount300-1	Convex Corner Adapter Kit		Dimensions: 238.6 x 409.5 mm (9.4 x 16.1") Weight: 4.27 kg (9.41 lb)
GV-Mount310-1	Concave Corner Adapter Kit		Dimensions: 123.3 x 393.1 mm (4.9 x 15.5") Weight: 2.96 kg (6.53 lb)
GV-Mount400-1	Pole Mount Bracket Kit (Ø 4 ~ 6")		Bracket: 241 x 161 mm (9.5 x 6.3") Weight: 1.70 kg (3.75 lb) Steel Strap Diameter: Ø 4 ~ 6"
GV-Mount410-1	Pole Mount Bracket Kit (Ø 6 ~ 7.5")		Bracket: 241 x 161 mm (9.5 x 6.3") Weight: 1.70 kg (3.75 lb) Steel Strap Diameter: Ø 6 ~ 7.5"

Packing List

- Screw x 3
- Plastic screw anchor x 3
- 1/4" screw
- Washer x 3
- Tooth lock washer
- Hex key
- Silica gel bag
- Power adapter