

GV-Housing102 Housing Box



Introduction

The GV-Housing102 is a housing box designed to support the outdoor installation of GV-BX Series and other Box Cameras with external protection. It conforms to IP67 and IK10 standards, and is equipped with a heater and a fan. The GV-Housing102 also supports optional GV-Mount accessories, allowing the Box Camera to be installed on the pole, convex and concave surfaces. Adopting the housing box enables flexible installation of the Box Camera to meet your needs for IP surveillance in various environmental conditions.

Applied to

- GV-BX2700-3V
- GV-BX4700 Series
- GV-BX5700-3V

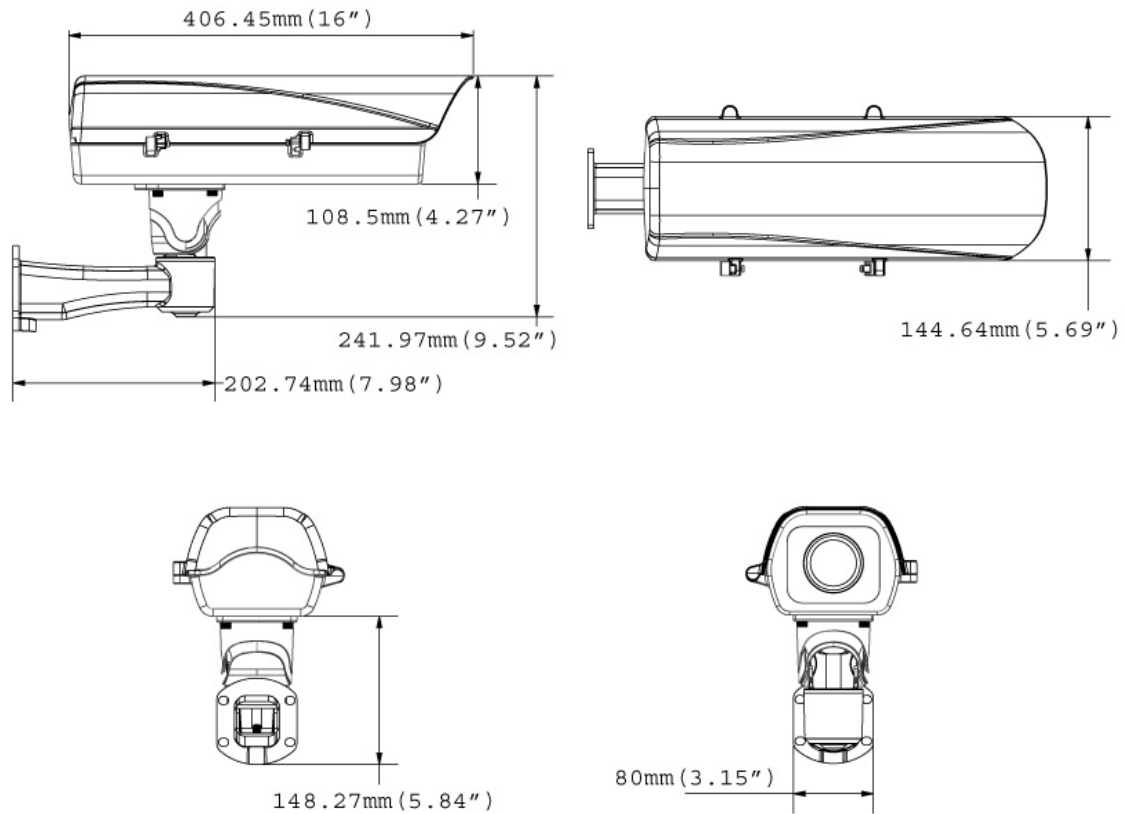
* GV-BX2700-8F and GV-BX5700-8F are not supported.

Specifications





Power		DC 12V, 1A AC 24V, 0.58A
Temperature	Start-up	-30°C ~ 50°C (-22°F ~ 122°F)
	Operation	-40°C ~ 50°C (-40°F ~ 122°F)
Heater	On	15°C (59°F)
	Off	25°C (77°F)
Fan	On	35°C (95°F)
	Off	25°C (77°F)
Dimensions (L x W x H)		406 x 145 x 109 mm (16 x 5.7 x 4.3")
Weight		4.69 kg (10.34 lb) (including Supporting Tube)
Ingress Protection		IP67
Vandal Resistance		IK10 (for metal casing)

Note: Specifications are subject to change without notice.

Dimensions



Accessories

Model No	Name	Details	
GV-Mount300	Convex Corner Adapter Kit		Dimensions: 238.6 x 409.5 mm (9.4 x 16.1") Weight: 4.27 kg (9.41 lbs)
GV-Mount310	Concave Corner Adapter Kit		Dimensions: 123.3 x 393.1 mm (4.9 x 15.5") Weight: 2.96 kg (6.53 lbs)
GV-Mount400	Pole Mount Bracket Kit (Ø 4 ~ 6")		Bracket: 241 x 161 mm (9.5 x 6.3") Weight: 1.70 kg (3.75 lb) Steel Strap Diameter: Ø 4 ~ 6"
GV-Mount410	Pole Mount Bracket Kit (Ø 6 ~ 7.5")		Bracket: 241 x 161 mm (9.5 x 6.3") Weight: 1.70 kg (3.75 lb) Steel Strap Diameter: Ø 6 ~ 7.5"

Packing List

- Housing Box x1
- Supporting Tube x 1
- Screw Anchor x 4
- M5 Screw (35 mm) x 4
- Short Screw x 2
- M5 Plain Washer (7 mm) x 4
- M5 Plain Washer (16 mm) x 2
- Torx Wrench x 1
- Silica Gel Bag x 1
- Sticker (for Silica Gel Bag) x 1
- M4 Screw (8 mm) x 4
- M4 Screw (5 mm) x 4
- Black Plate x 2
- Plastic Black Plate x 1