

GV-CA120 1.3MP H.264 WDR Advanced Cube IP Camera



- 1/2.5" progressive scan CMOS
- Dual streams from H.264 and MJPEG
- Up to 30 fps at 1280 x 1024
- Passive infrared (PIR) sensor for detecting movement and activating the alarm LED
- Two-way audio
- Built-in micro SD card slot (SD/SDHC) for local storage
- Recording assigned by GV-Edge Recording Manager ([Windows](#), [Mac](#) version)
- Wide Dynamic Range (WDR)
- 2D noise reduction
- Defog
- Motion detection
- Tampering alarm
- Text overlay
- Privacy mask
- IP address filtering
- DC 5V / PoE (IEEE 802.3af)
- Megapixel lens
- Smart device access
- 31 languages on Web interface
- ONVIF (Profile S) conformant
- More storage option - NAS

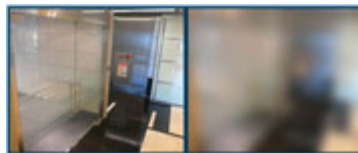
* No Memory Card Slot & local storage function for Argentina.

Active Tampering Alarm

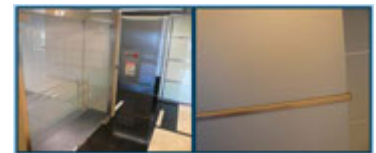
Tampered



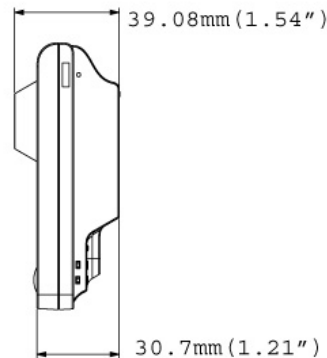
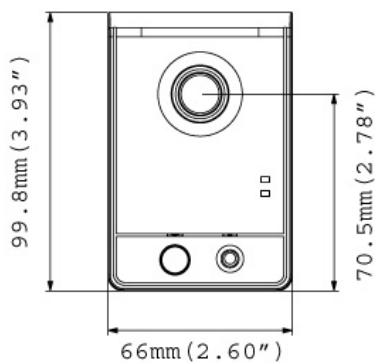
Focus Change



Camera Shift



Dimensions



Specifications

| Camera | | |
|---|--|--|
| Image Sensor | 1/2.5" progressive scan CMOS | |
| Picture Elements | 1280 (H) x 1024 (V) | |
| Minimum Illumination | Color | 0.15 Lux |
| | B/W | 0.10 Lux |
| | LED ON | 0 Lux |
| Shutter Speed | Automatic, Manual (1/5 ~ 1/8000 sec.) | |
| White Balance | Automatic, Manual (2800 ~ 8500K) | |
| Gain Control | Automatic | |
| S/N Ratio | 45 dB | |
| Lens | | |
| Megapixel | Yes | |
| Day/Night | Yes (electronic) | |
| Lens Type | Fixed | |
| Focal Length | 3.35 mm | |
| Maximum Aperture | F/2.4 | |
| Mount | M12 mm | |
| Image Format | 1/3" | |
| Horizontal FOV | 67° | |
| Operation | Focus | Fixed |
| | Zoom | |
| | Iris | |
| Operation | | |
| Video Compression | H.264, MJPEG | |
| Video Streaming | Dual streams from H.264 and MJPEG | |
| Frame Rate | 30 fps at 1280 x 1024 (60/50 Hz) * The frame rate and performance may vary depending on the number of connections and data bitrates (different scenes). | |
| Image Setting | Brightness, Contrast, Saturation, Sharpness, Gamma, White Balance, Flicker-less, Image Orientation, Shutter Speed, Backlight Compensation, WDR, Defog, Denoise, Metering | |
| Audio Compression | G.711, AAC (optional) | |
| Audio Support | Two-way audio | |
| Video Resolution | | |
| Main Stream | 4:3 | 1280 x 960, 640 x 480, 320 x 240 |
| | 16:9 | 1280 x 720, 640 x 360, 448 x 252 |
| | 5:4 | 1280 x 1024 (Default), 640 x 512, 320 x 256 |
| Sub Stream | 4:3 | 640 x 480, 320 x 240 |
| | 16:9 | 640 x 360, 448 x 252 |
| | 5:4 | 640 x 512, 320 x 256 (Default) |
| Network | | |
| Interface | 10/100 Ethernet | |
| Ethernet Protocol | HTTP, HTTPS, TCP, UDP, SMTP, FTP, DHCP, NTP, UPnP, DynDNS, 3GPP/ISMA, RTSP, PSIA, SNMP, QoS (DSCP), ONVIF (Profile S) | |
| Mechanical | | |
| Temperature Detector | No | |
| Connectors | Power | DC Jack / PoE |
| | Ethernet | RJ-45 |
| | Audio | Built-in speaker & microphone |
| | Local Storage | Micro SD card slot (SD/SDHC, SD version 2.0 only, Class 10) *SDXC and UHS-I card types are not supported. |
| LED Indicator | 4 LEDs: Status x 3, LAN / WiFi | |
| PIR Sensor | Built-in | |
| White Illumination LED | Yes | |
| Max. PIR Sensor / White Illumination LED Distance | 5 m (16.4 ft.) | |
| General | | |
| Environment Temperature | 0 °C ~ 50 °C (32 °F ~ 122 °F) | |
| Humidity | 10% to 90% (no condensation) | |

| | |
|----------------------------|--|
| Power Source | 5V DC, PoE (IEEE 802.3af) |
| Max. Power Consumption | 7 W |
| General | |
| Dimensions | 65.8 x 99.8 x 39 mm (2.59 x 3.92 x 1.54") |
| Weight | 100 g (0.2 lb) |
| Regulatory | CE, FCC, RCM, RoHS compliant |
| Power over Ethernet | |
| PoE Standard | PoE (IEEE 802.3af Power over Ethernet / PD) |
| PoE Power Supply Type | End-Span |
| PoE Power Output | Per Port 48V DC, 350 mA, Max. 15.4 watts |
| Web Interface | |
| Installation Management | Web-based configuration |
| Maintenance | Firmware upgrade through Web Browser or Utility |
| Access from Web Browser | Camera live View, Video Recording, Change Video Quality, Bandwidth Control, Image Snapshot, Audio, Picture in Picture, Picture and Picture, Privacy Mask, Tampering Alarm, Text Overlay, Digital PTZ |
| Language | Arabic / Bulgarian / Czech / Danish / Dutch / English / Finnish / French / German / Greek / Hebrew / Hungarian / Indonesian / Italian / Japanese / Lithuanian / Norwegian / Persian / Polish / Portuguese / Romanian / Russian / Serbian / Simplified Chinese / Slovakian / Slovenian / Spanish / Swedish / Thai / Traditional Chinese / Turkish |
| Applications | |
| Network Storage | GV-System (GV-DVR/NVR), GV-Backup Center, GV-Recording Server, GV-VMS |
| Smart Device Access | GV-Eye for iOS and Android |
| Live Viewing | IE, mobile phone |
| CMS Server support | GV-Control Center, GV-Center V2, GV-Vital Sign Monitor |

Note:


1. Specifications are subject to change without notice.
2. Mind the following when using an inserted memory card for recording:
 - Recorded data on the memory card can be damaged or lost if the data are accessed while the camera is under physical shock, power interruption, memory card detachment or when the memory card reaches the end of its lifespan. No guarantee is provided for such causes.
 - The stored data can be lost if the memory card is not accessed for a long period of time. Back up your data periodically if you seldom access the memory card.
 - Memory cards are expendable and their durability varies according to the conditions of the installed site and how they are used. Back up your data regularly and replace the memory card annually.
 - To avoid power outage, it is highly suggested to apply a battery backup (UPS).
 - For better performance, it is highly suggested to use Micro SD card of MLC NAND flash, Class 10.
 - Replace the memory card when its read/write speed is lower than 6 MB/s or when the memory card is frequently undetected by the camera.

Packing List

- | | |
|-------------------------|--------------------------------|
| 1. Advanced Cube Camera | 6. GV-IPCAM H.264 Software DVD |
| 2. Supporting Rack | 7. GV-NVR Software DVD |
| 3. Screw x 3 | 8. Warranty Card |
| 4. Screw Anchor x 3 | |
| 5. Power Adapter | |

Note: The power adapter can be excluded upon request.

Accessories

| Name | Details |
|---|--|
| <p data-bbox="105 235 355 264">GV-PA191 PoE Adapter</p>  | <p data-bbox="560 228 1230 286">Weight: 130 g (0.29 lb) Dimensions (H x W x D): 43 x 69 x 40 mm (1.69 x 2.72 x 1.57")</p> |
| <p data-bbox="105 483 272 512">Power Adapter</p> | <p data-bbox="560 483 1345 512">Contact your sales representative for the countries and areas supported.</p> |
| <p data-bbox="105 539 269 568">GV-POE Switch</p> | <p data-bbox="560 535 1522 624">The GV-POE Switch is designed to provide power along with network connection for IP devices. The GV-POE Switch is available in various models with different numbers and types of ports.</p> |