

GV-BX12201 12MP H.264 Low Lux WDR D/N Box IP Camera



- 1/1.7" progressive scan CMOS
- Dual streams from H.264 or MJPEG
- Up to 15 fps at 4000 x 3000, 30 fps at 3840 x 2160
- Varifocal megapixel lens
- Built-in / external microphone
- 2-way audio
- One sensor input and alarm output
- TV-out support
- Mini USB slot for WiFi Adapter
- DC 12V / 24V AC / PoE (IEEE 802.3af)
- Built-in micro SD card slot (SD/SDHC/SDXC/UHS-I) for local storage
- Removable IR-cut filter for Day/Night function
- Wide Dynamic Range (WDR)
- Low Lux Enhancement
- 3D noise reduction
- Smart Streaming
- Defog
- Motion detection
- Tampering alarm
- Privacy mask
- IP address filtering
- Supports iPhone, iPad, Android & 3GPP
- 31 languages on Web interface
- ONVIF (Profile S) conformant
- Recording assigned by GV-Edge Recording Manager (Windows version)

* No Memory card slot & local storage function for Argentina.

* Smart streaming requires either GV-NVR V8.7.0.0 or GV-VMS V16.10.0.0.

Active Tampering Alarm

Tampered



Focus Change



Camera Shift

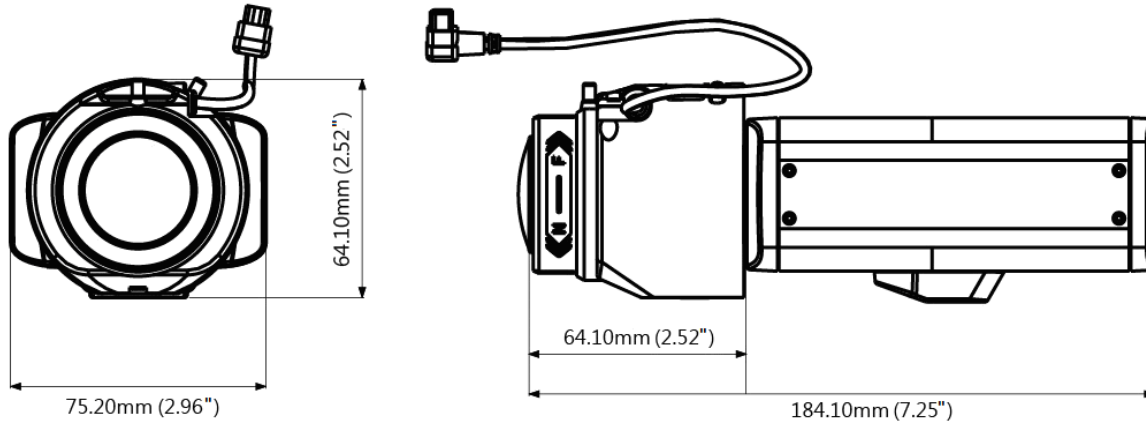


Introduction

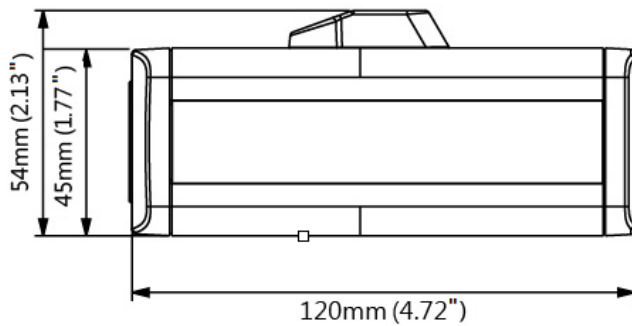
The GV-BX12201 is a dual-stream, day/night indoor IP camera containing a varifocal lens. The camera is equipped with a progressive scan CMOS image sensor. The camera features a 12 MP resolution, and the increased pixel density allows the camera to capture scenes of greater details.

Dimensions

With Lens



Without Lens



Specifications

PC Requirements		
CPU	Intel Core i5-4670, 3.40 GHz	
Memory	DDR3 8 GB RAM	
On Board Graphics	Intel HD Graphics 4600 (Versions of driver from year 2014 or later required)	
Camera		
Image Sensor	1/1.7" progressive scan CMOS	
Picture Elements	4000 (H) x 3000 (V)	
Minimum Illumination	Color	0.1 Lux
	B/W	0.05 Lux
	IR ON	0 Lux
Shutter Speed	Automatic, Manual (1/30 ~ 1/16000 sec)	
White Balance	Automatic, Manual (2800 ~ 8500K)	
Gain Control	Automatic	
S/N Ratio	52 dB	
WDR	Yes	
Lens		
Megapixel	Yes	
Day/Night	Yes (with removable IR-cut filter)	
Lens Type	Varifocal	
Focal Length	4.1~ 9 mm	
Maximum Aperture	F/1.6	
Mount	CS Mount	
Image Format	1/1.8"	

Horizontal FOV		109° ~ 50°
Operation	Focus	Manual (w/lock)
	Zoom	Manual (w/lock)
	Iris	DC drive
Torque (Focus/Zoom screws)		Focus: 0.05 N.m Zoom: 0.035 N.m

Operation

Video Compression	H.264, MJPEG
Video Streaming	Dual streams from H.264 or MJPEG
Frame Rate	15 fps at 4000 x 3000 (60/50 Hz) 30 fps at 3840 x 2160 (60/50 Hz) * The frame rate and performance may vary depending on the number of connections and data bitrates (different scenes).
Image Setting	Brightness, Contrast, Saturation, Sharpness, Gamma, White Balance, Flicker-less, Image Orientation, Shutter Speed, D/N Sensitivity, Backlight Compensation, WDR, Defog, Denoise, Metering, Low Lux Enhancement
Audio Compression	G.711, AAC (optional)
Audio Support	Two-Way Audio
Sensor Input	1 input (Dry Contact)
Alarm Output	1 Digital Output (200mA 5V DC)

Video Resolution

Main Stream	4:3	4000 x 3000 (Default), 2560 x 1920, 2048 x 1536, 1600 x 1200, 1280 x 960
	16:9	3840 x 2160, 1920 x 1080, 1280 x 720
	5:4	1280 x 1024
Sub Stream	4:3	1024 x 768 (Default), 640 x 480, 320 x 240
	16:9	1280 x 720, 640 x 360, 448 x 256
	5:4	1280 x 1024, 640 x 512, 320 x 256

Network

Interface	10/100/1000 Ethernet
Protocol	HTTP, HTTPS, TCP, UDP, SMTP, FTP, DHCP, NTP, UPnP, DynDNS, 3GPP/ISMA, RTSP, PSIA, SNMP, QoS (DSCP), ONVIF (Profile S)
Wireless LAN	IEEE 802.11 b/g/n
Antenna Type	External
Security	WEP, WPA-PSK (TKIP), WPA-PSK (AES), WPA2-PSK (TKIP), WPA2-PSK (AES)

Mechanical

Temperature Detector	Yes	
Connectors	Power	2-pin terminal block, PoE
	Ethernet	RJ-45
	Audio	1 In (Using the built-in microphone or externally connecting a microphone) 1 Out (Stereo phone jack, 3.5 mm / 0.14 in)
	Digital I/O	3-pin terminal block, pitch 2.5 mm / 0.1 in
	Auto Iris	Yes (with varifocal lens)
	Local Storage	Micro SD card slot (SDHC/SDXC/UHS-I, Class 10) *UHS-II card type is not supported.
	TV-Out	BNC connector (640 x 480 resolution)
	Mini USB	GV-WiFi Adapter or USB hard drive
LED Indicator	2 LEDs: Power, Status	

General

Operating Temperature	0 °C ~ 50 °C / 32 °F ~ 122 °F
Humidity	10% to 90% (no condensation)
Power Source	12V DC / 24V AC / PoE (IEEE 802.3af)
Max. Power Consumption	6 W
Dimensions (L X W X H)	Without lens: 120 x 75.2 x 54 mm (4.72" x 2.96" x 2.13") With lens: 184.1 x 75.2 x 64.1 mm (7.25" x 2.96" x 2.52")
Weight	545 g / 1.2 lb
Regulatory	CE, FCC, RCM, LVD, RoHS compliant

Power over Ethernet

PoE Standard	PoE (IEEE 802.3af Class 3 Power over Ethernet / PD)
PoE Power Supply Type	End-Span
PoE Power Output	Per Port 48V DC, 350mA. Max. 15.4 watts

Web Interface

Installation Management	Web-based configuration
-------------------------	-------------------------

Maintenance	Firmware upgrade through Web Browser or Utility
Access from Web Browser	Camera Live View, Video Recording, Change Video Quality, Bandwidth Control, Image Snapshot, Digital I/O control, Audio, Picture in Picture, Picture and Picture, Privacy Mask, Visual Automation, Tampering Alarm, Text Overlay, Digital PTZ
Language	Arabic / Bulgarian / Czech / Danish / Dutch / English / Finnish / French / German / Greek / Hebrew / Hungarian / Indonesian / Italian / Japanese / Lithuanian / Norwegian / Persian / Polish / Portuguese / Romanian / Russian / Serbian / Simplified Chinese / Slovakian / Slovenian / Spanish / Swedish / Thai / Traditional Chinese / Turkish
Applications	
Network Storage	GV-System (GV-DVR/NVR), GV-Backup Center, GV-Recording Server, and GV-VMS
Smart Device Access	GV-Eye for iOS and Android
Live Viewing	IE, mobile phone
CMS Server support	GV-Control Center, GV-Center V2, GV-Vital Sign Monitor

Note:


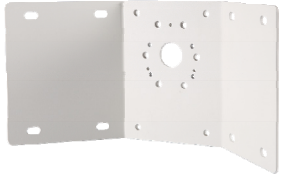

1. The signal range and data throughput may vary depending on the network conditions and environmental factors.
2. To connect a GV-WiFi Adapter, make sure it is connected before the camera is powered on.
3. Specifications are subject to change without notice.

Packing List

- | | |
|--|--------------------------------|
| 1. Box Camera | 7. Holder Screw x 2 |
| 2. Terminal Block | 8. Power Adapter |
| 3. Fixed Focal or Varifocal Megapixel Lens | 9. GV-IPCAM H.264 Software DVD |
| 4. Six Lens Rings | 10. GV-NVR Software DVD |
| 5. Video Out Wire | 11. Warranty Card |
| 6. Camera Holder | |

Note: The power adapter can be excluded upon request.

Accessories

Model No.	Name	Details
GV-Mount300-1	Convex Corner Adapter Kit	Dimensions: 238.6 x 409.5 mm (9.4" x 16.1") Weight: 4.27 kg (9.41 lb)
		
GV-Mount310-1	Concave Corner Adapter Kit	Dimensions: 123.3 x 393.1 mm (4.9" x 15.5") Weight: 2.96 kg (6.53 lb)
		
GV-Mount400-1	Pole Mount Bracket Kit (Ø 4" ~ 6")	Dimensions Bracket: 241 x 161 mm (9.5" x 6.3") Weight: 1.70 kg (3.75 lb) Steel Strap Diameter: Ø 4" ~ 6"
		

GV-Mount410-1

Pole Mount Bracket Kit (Ø 6" ~ 7.5")



Dimensions

Bracket: 241 x 161 mm (9.5" x 6.3")

Weight: 1.70 kg (3.75 lb)

Steel Strap Diameter: Ø 6" ~ 7.5"

GV-Housing103

Housing Box (with IR)

Dimensions: 404 x 128 x 257 mm (15.91 x 5.04 x 10.12")

Weight: 7 kg (15.43 lb) (including Supporting Tube)

Start-up Temperature: -20°C ~ 50°C (-4°F ~ 122°F)

Operation Temperature: -30°C ~ 50°C (-22°F ~ 122°F)

IR: 6 IR LEDs with up to 60 m (196.85ft) IR effective distance

Power: 12V DC, 1A input

IP67 IK10



GV-PA191 PoE Adapter



Weight: 130 g / 0.29 lb

Dimensions (H x W x D): 43 x 69 x 40 mm / 1.69 x 2.72 x 1.57 in

GV-Relay V2



The GV-Relay V2 is designed to expand the voltage load of GV IP devices. It provides 4 relay outputs, and each can be set as normally open (NO) or normally closed (NC) independently as per your requirement.

Power Adapter

Contact your sales representative for the countries and areas supported.

GV-POE Switch

The GV-POE Switch is designed to provide power along with network connection for IP devices. The GV-POE Switch is available in various models with different numbers and types of ports.

Note: GV-Housing103 only works with GV-Mount300-1, GV-Mount310-1, GV-Mount400-1, GV-Mount410-1.