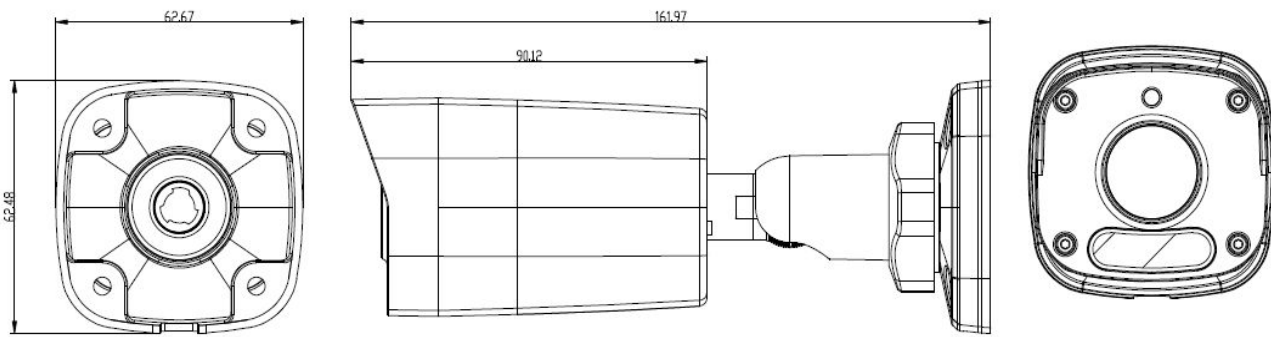


1.3MP H.264 Low Lux WDR IR Bullet IP Camera



Dimensions



Specifications

Camera		UVS-ABL1300
Image Sensor		1/3" progressive scan CMOS
Picture Elements		1280 (H) x 960 (V)
Minimum Illumination	Color	0.06 Lux (F1.4, AGC ON)
	B/W	
	IR ON	0 Lux
Shutter Speed		Automatic / Manual (1/6~1/8000sec.)
White Balance		Automatic / Manual
Gain Control		Automatic / Manual
WDR		Yes
Lens		
Megapixel		Yes
Day/Night		Yes (with removable IR-cut filter)
Lens Type		Fixed
Focal Length		3.6 mm
Maximum Aperture		F/1.8
Horizontal FOV		76.7°
Operation	Focus	Fixed
	Zoom	Fixed
	Iris	Fixed
Max. IR Distance		30 m

Operation		
Video Compression	H.264 / MJPEG	
Video Stream	Triple streams	
Frame Rate	25 fps at 1280*960 The frame rate and the performance may vary depending on the number of connections and data bitrates (different scenes).	
Image Setting	brightness, contrast, saturation,sharpness,Flicker-less,Image Orientation and IR LED Lights	
Video Resolution		
Main Stream	1280 x 960, 1280 x 720, D1 (720x576)	
Sub Stream	1280 x 960, 1280 x 720, D1 (720x576), CIF, 2CIF	
Network		
Interface	10/100 Ethernet	
Protocol	IPv4, IGMP, ICMP, ARP, TCP, UDP, DHCP, RTP, RTSP, QoS, DNS, NTP, FTP, UPnP, HTTP, ONVIF (Profile S)	
Mechanical		
Temperature Detector	No	
Connectors	Power	DC Jack, PoE
	Ethernet	RJ-45
General		
Operation Temperature	-35°C ~ 60°C (-31°F ~ 140°F)	
Operation Humidity	≤ 95% RH(non-condensing)	
Power Source	12V DC or POE(IEEE802.3af)	
Max. Power Consumption	5.5W (Max.)	
Dimensions	157.3 × 62.4 × 63 mm (6.2" × 2.5" × 2.5")	
Weight	0.45KG (0.99lb)	
Ingress Protection	IP66	
Regulatory	FCC, IC, CE, WEEE, RoHS	
Web Interface		
Installation Management	Web-based configuration	
Maintenance	Firmware upgrade through Web Browser or Utility	
Access from Web Browser	Camera live view, Video Recording, Change Video Quality, Bandwidth Control, Image Snapshot	
Language	English	
Application		
Network Storage	GV-System (GV-DVR/NVR), GV-Recording Server, GV-VMS	
Live Viewing	Browser (IE, Firefox, Safari)	